



HATCH LEGEND

| | |
|--|--|
| | TYPE A BUFFER - STREET-FACING OPAQUE EVERGREEN SCREEN |
| | TYPE A BUFFER - PERIMETER OPAQUE EVERGREEN SCREEN |
| | SUPPLEMENTED PERIMETER BUFFER - ESTIMATED QUANTITIES |
| | AREA TO BE EVALUATED AND AUGMENTED TO MEET TYPE A - OPAQUE BUFFER REQ. |
| | RIPARIAN BUFFER |
| | FLOODHAZARD BUFFER |

GENERAL NOTES

- ALL MATERIALS AND METHODS OF CONSTRUCTION SHALL BE IN ACCORDANCE WITH THE TOWN OF PITTSBORO AND THE STATE OF NORTH CAROLINA STANDARDS AND SPECIFICATIONS.
- CONTRACTOR SHALL HAVE NORTH CAROLINA ONE CALL (811) LOCATE ALL EXISTING UTILITIES PRIOR TO BEGINNING CONSTRUCTION.
- CONTRACTOR SHALL VERIFY THE LOCATION AND DEPTH OF ALL EXISTING UTILITIES AND NOTIFY THE ENGINEER OF ANY DISCREPANCIES OR CONFLICTS PRIOR TO BEGINNING CONSTRUCTION.
- BOUNDARY, TOPOGRAPHY, UTILITY, AND OTHER SITE DATA IS TAKEN FROM THE CHATHAM COUNTY GIS AND HAS NOT BEEN FIELD VERIFIED.
- ALL CONSTRUCTION SHALL CONFORM TO A.D.A. STANDARDS.
- NO PORTION OF THE PROPERTY IS LOCATED IN THE 100 YEAR FLOOD PLAIN AS SHOWN ON FEMA FIRM MAP NO. 3710970200K EFFECTIVE DATE NOVEMBER 17, 2017.
- SITE LIGHTING IS INTENDED FOR WEEKEND MORNINGS AND DAYTIME USE BETWEEN 8:00 A.M. AND 7:00 P.M. ALL FIXTURES SHALL AUTOMATICALLY SHUT OFF NO LATER THAN ONE HOUR AFTER DUSK.
- NO FIELD IRRIGATION IS PROPOSED FOR THIS PROJECT. ALL LANDSCAPING AND TURF AREAS SHALL BE MAINTAINED WITHOUT PERMANENT IRRIGATION INFRASTRUCTURE.
- THE RESTROOM AND ASSOCIATED SEPTIC SYSTEM SHALL BE DESIGNED, LOCATED, AND CONSTRUCTED IN ACCORDANCE WITH APPLICABLE REQUIREMENTS OF CHATHAM COUNTY UNIFIED DEVELOPMENT ORDINANCE (UDO) AND RELEVANT ENVIRONMENTAL HEALTH REGULATIONS.

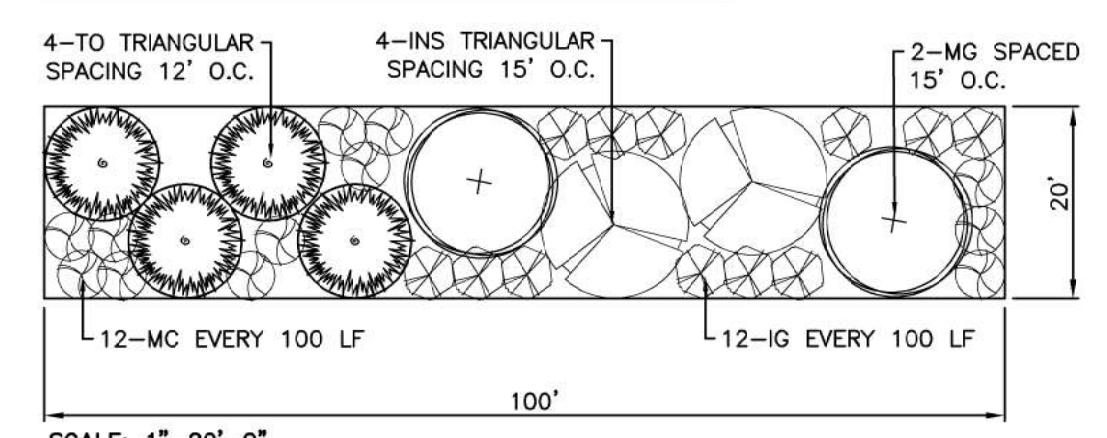
LANDSCAPE NOTES

- HATCHED BUFFER TO BE SUPPLEMENTED WITH EVERGREEN VEGETATION TO MEET CHATHAM COUNTY OPACITY STANDARDS SHOWN IN DETAIL "TYPE A - OPAQUE EVERGREEN SCREEN" AND "TYPE B - MIXED DECIDUOUS/EVERGREEN SCREEN". BUFFER AREAS NOT HATCHED SHALL BE EVALUATED AND SUPPLEMENTED AS NECESSARY TO MEET TYPE B BUFFER REQUIREMENTS.
- TREES SHALL BE PLANTED EVERY OTHER ROW OF PARKING SPACES AND AROUND THE PERIMETER OF THE PARKING LOT. PROVIDE A MINIMUM OF ONE LARGE CANOPY TREE (35 FEET MATURE HEIGHT) AND FOUR SHRUBS FOR EVERY 2,000 SQUARE FEET OF PARKING SURFACE.

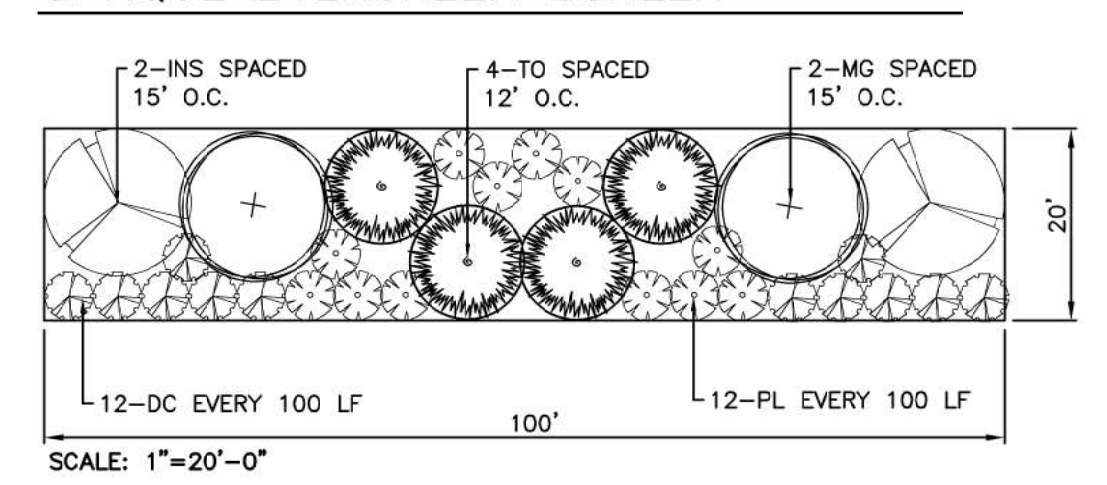
STORMWATER NOTES

- GRASS OR REINFORCED TURF MAY BE USED AS A PREEVIOUS PARKING SURFACE WHERE APPROPRIATE. FINAL SURFACE SELECTION SHALL MAINTAIN INFILTRATION CAPACITY, MINIMIZE RUNOFF, AND COMPLY WITH ALL STORMWATER MANAGEMENT REQUIREMENTS.

TYPE A BUFFER - PERIMETER OPAQUE EVERGREEN SCREEN



TYPE A BUFFER - STREET FACING OPAQUE EVERGREEN SCREEN



ESTIMATED SUPPLEMENTAL BUFFER QUANTITIES FOR N/W TYPE A BUFFERS:

| KEY | QTY | BOTANICAL NAME | COMMON NAME | HEIGHT | SIZE | MATURE HT./SPREAD | ROOT | SPACING |
|-------------------------|-----|-------------------------------------|---------------------------|--------------|-----------|-------------------|-------|-----------|
| CANOPY TREES | | | | | | | | |
| MG | 21 | MAGNOLIA GRANDIFLORA | SOUTHERN MAGNOLIA | 8' HT. MIN. | 1.5" CAL. | 60'/40' | B&B | AS SHOWN* |
| UNDERSTORY TREES | | | | | | | | |
| INS | 21 | ILEX 'NELLIE R STEVENS' | NELLIE STEVENS HOLLY | 8' HT. MIN. | 1.5" CAL. | 25'/15' | B&B | AS SHOWN* |
| TO | 36 | THUJA OCCIDENTALIS 'GREEN GIANT' | GREEN GIANT ARBORVITAE | 8' HT. MIN. | 1.5" CAL. | 20'/10' | B&B | AS SHOWN* |
| SHRUBS | | | | | | | | |
| DC | 80 | DISTYLIIUM 'PID-ST-III' COPPERTONE™ | COPPERTONE DISTYLIIUM | 24" HT. MIN. | 3 GAL. | 5'/5' | CONT. | 5' O.C. |
| IG | 48 | ILEX GLABRA 'SHAMROCK' | SHAMROCK INKBERRY HOLLY | 24" HT. MIN. | 3 GAL. | 5'/5' | CONT. | 5' O.C. |
| MC | 38 | MYRICA CERIFERA | WAX MYRTLE | 30" HT. MIN. | 7 GAL. | 6'/6' | CONT. | 6' O.C. |
| PL | 34 | PRUNUS LAUROCERASUS 'OTTO LUYKEN' | OTTO LUYKEN CHERRY LAUREL | 24" HT. MIN. | 3 GAL. | 5'/5' | CONT. | 5' O.C. |

ESTIMATED SUPPLEMENTAL BUFFER QUANTITIES FOR WEST TYPE A BUFFER:

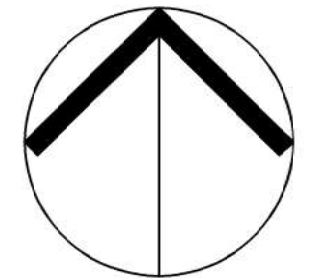
| KEY | QTY | BOTANICAL NAME | COMMON NAME | HEIGHT | SIZE | MATURE HT./SPREAD | ROOT | SPACING |
|-------------------------|-----|-------------------------|----------------------|-------------|-----------|-------------------|------|-----------|
| UNDERSTORY TREES | | | | | | | | |
| INS | 47 | ILEX 'NELLIE R STEVENS' | NELLIE STEVENS HOLLY | 8' HT. MIN. | 1.5" CAL. | 25'/15' | B&B | AS SHOWN* |

*EXISTING VEGETATION TO BE EVALUATED ON SITE AND SUPPLEMENTED AS NECESSARY TO MEET CHATHAM COUNTY UDO STANDARDS FOR A TYPE A OPAQUE BUFFER.

PARKING LOT PLANT SCHEDULE:

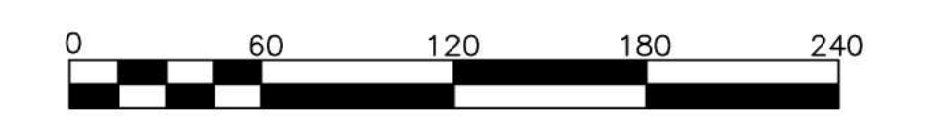
| KEY | QTY | BOTANICAL NAME | COMMON NAME | HEIGHT | SIZE | MATURE HT./SPREAD | ROOT | SPACING |
|---------------------|-----|-------------------------------------|---------------------------|--------------|-----------|-------------------|-------|-----------|
| CANOPY TREES | | | | | | | | |
| QS | 6 | QUERCUS SHUMARDII | SHUMARD OAK | 8-10' | 2.5" CAL. | 60'/40' | B&B | AS SHOWN* |
| UJAP | 4 | ULMUS AMERICANA 'PRINCETON' | PRINCETON AMERICAN ELM | 8-10' | 2.5" CAL. | 60'/40' | B&B | AS SHOWN* |
| SHRUBS | | | | | | | | |
| PL | 113 | PRUNUS LAUROCERASUS 'OTTO LUYKEN' | OTTO LUYKEN CHERRY LAUREL | 24" HT. MIN. | 3 GAL. | 5'/5' | CONT. | 5' O.C. |
| DC | 131 | DISTYLIIUM 'PID-ST-III' COPPERTONE™ | COPPERTONE DISTYLIIUM | 24" HT. MIN. | 3 GAL. | 5'/5' | CONT. | 5' O.C. |

*PLANTING TO MEET CHATHAM COUNTY REQUIREMENTS FOR PARKING LOT PERIMETER SCREEN AND SHADE COVERAGE.



NORTH
LANDSCAPE
PLAN

SCALE: 1" = 60' (DRAWING SCALED FOR 24x36 INCH PLOTS)



PROGRESS
14 APR 2026

THE SITE GROUP
CIVIL ENGINEERS • LANDSCAPE ARCHITECTS
THE SITE GROUP, P.L.L.C.
111 S. COCHRAN ST., 4th Fl.
Raleigh, NC 27605-1136 USA
Office: 919.835.4787
Fax: 919.839.2255
E Mail: SRN@thesitegroup.net

SITE PERMIT REVIEW (SPR #XXX)
PITTSBORO CRICKET FIELD
4051 SILK HOPE GUM SPRINGS RD
PITTSBORO, NORTH CAROLINA

Drawn By **MJP**
Checked By **BDM**

DATE:
PROGRESS

SITE PERMIT REVIEW

LANDSCAPE PLAN

Job Code **SKFCFC**

Dwg No.
SITE 500

Copyright © 2006 The Site Group, P.L.L.C. ALL RIGHTS RESERVED.